



GENESIS[®] SERIES

**GENESIS & GENESIS OPTIMA
Sectional Garage Door Opener**

Installation & User Guide

Contents

1.0	Technical Features & Specifications	3
1.1	Product Features	3
1.2	Technical Information	3
2.0	Preparing for Installation	4
2.1	Tools Required	4
2.2	Product Contents	4
3.0	Installation Instructions	5
3.1	Install Lintel Bracket	5
3.2	Attach Manual Release Mechanism to Track	5
3.3	Adjust the Belt Tension	6
3.4	Secure Track to Power Unit	6
3.5	Attach Track to Lintel Bracket	6
3.6	Position Track and Power Unit	7
3.7	Secure Track and Power Unit to Ceiling	7
3.8	Install Door Hinge, J-Arm and Manual Release Cord	7-8
4.0	Opener Programming	8
4.1	Program Reference Table	8
4.2	Optional Terminals and Connections	8
4.3	Control Panel Display	9
4.4	Initial Powering Up of Opener	9
4.5	Program Door Travel Limits	9
4.6	Program Force Settings	10
5.0	Opener Accessories Programming	10
5.1	Enable Optional Photo Sensor Beams	10
5.2	Enable Optional Auto-Close Setting	11
6.0	Remote Programming	11
6.1	Programming a New or Additional Remote	11
6.2	Erasing all Programmed Remotes	11
7.0	Safety Instructions	12
7.1	Installation Information	12
7.2	Safe Door Operation Methods	12
7.3	Door Inspection Information	12
7.4	Electrical Information	12
7.5	Manual Release Information	12
8.0	Troubleshooting Guide	13
9.0	Warranty	13-14

IMPORTANT - SAFETY INFORMATION

WARNING: UNIT MUST BE INSTALLED AS OUTLINED AND IN STRICT ACCORDANCE WITH THE FOLLOWING INSTRUCTIONS. FAILURE TO COMPLY WITH THE FOLLOWING INSTRUCTIONS AND SAFETY WARNINGS MAY RESULT IN SERIOUS PERSONAL INJURY AND/OR PROPERTY DAMAGE.

- Only operate garage door when in full view and free from obstructions. No one should enter/exit the garage opening whilst the door is in operation.
- Keep hands and other body parts away from a moving garage door. Do not allow children to operate or play with/near a garage door.
- Only engage manual operation as required, for example in the event of a power failure.

1.0 Technical Features & Specifications

1.1 Product Features

Intuitive Control System

- Single button operation (Open/Close/Stop)
- Automatic courtesy light enabled during operation, remains lit for 3 minutes after completion of cycle.
- Inbuilt safety features including 'Force' settings, ensuring the door will auto-reverse when an obstruction is detected

DC Motor

- Quiet operation
- Soft start/stop programming to protect and ensure longevity of the unit

LED Display

- Clear and energy efficient LED display screen

Decoding

- Automatically selected rolling code to ensure security of unit

Manual Disengagement

- Manual release feature allows for manual operation (open/close) without power

Additional Optional Features Available

- Safety Photo Beam Kit
- Battery Backup System
- Wall Button/Switch.

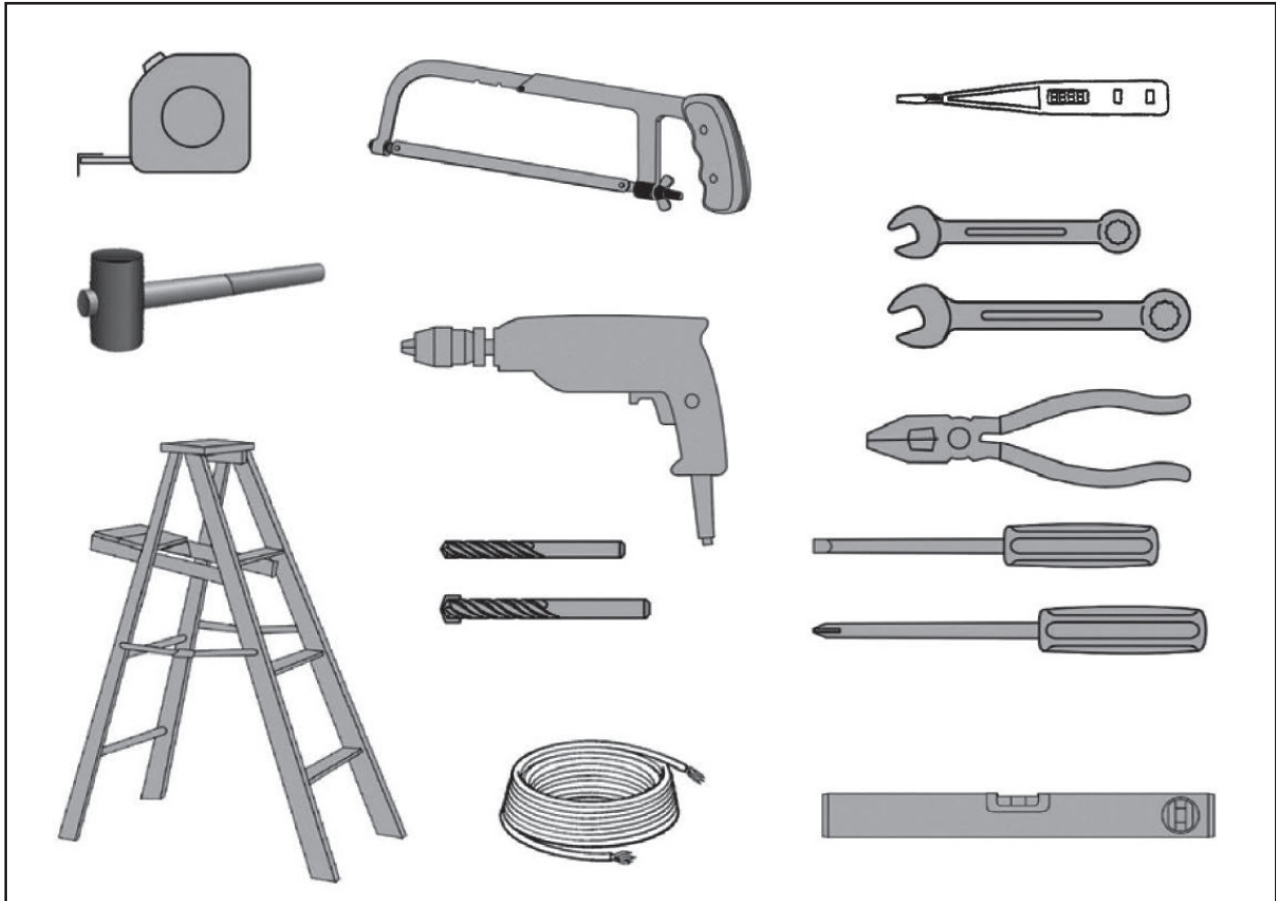
1.2 Technical Information

Power Input	220V AC 50 Hz	Reception Frequency	390MHz
Motor	24V DC	Decoding	Rolling Code
Working Temperature	> -20°C, < +50°C	Transmitter Power	2 x 3V Lithium Cell 2016
Relative Humidity	≤ 90%	Globe	LED
Open/Close Force	Genesis 800N	Optima 1200N	Courtesy Light Time 1 minute

2.0 Preparing for Installation

WARNING: UNIT MUST BE INSTALLED AS OUTLINED AND IN STRICT ACCORDANCE WITH THE FOLLOWING INSTRUCTIONS. FAILURE TO COMPLY WITH THE FOLLOWING INSTRUCTIONS AND SAFETY WARNINGS MAY RESULT IN SERIOUS PERSONAL INJURY AND/OR PROPERTY DAMAGE.

2.1 Tools Required



2.2 Product Contents

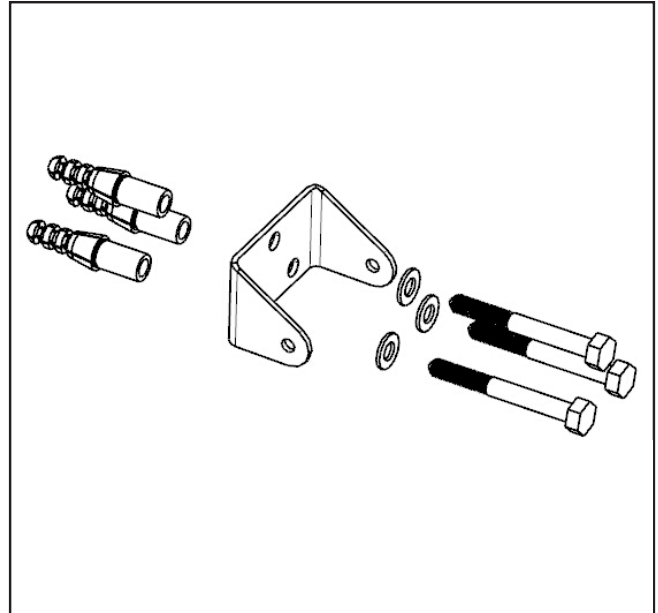
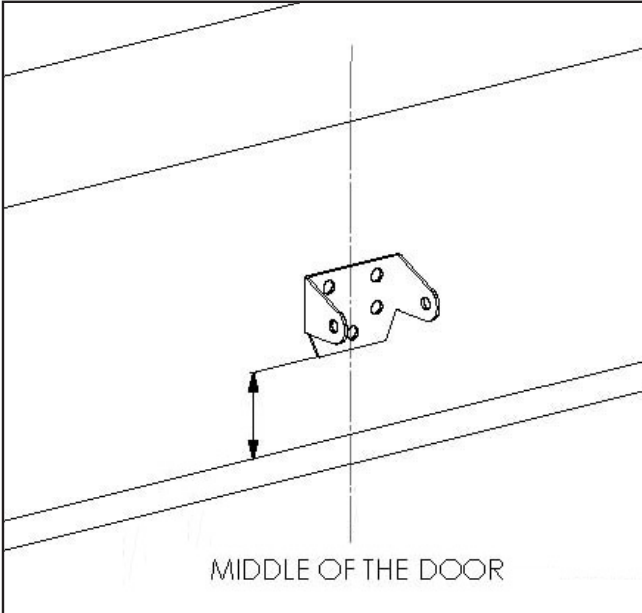
GENESIS OPENER	
Description	Qty
G+ Remotes	3
Genesis Powerhead 800N	1
Remote Wall Cradle	1
Installation Manual & Guide	1
Hanging Bracket	2
Warning Sticker	1
Manual Release Cord	1
Installation Fitting Kit	1

GENESIS OPTIMA OPENER	
Description	Qty
G+ Remotes	3
Genesis Powerhead 1200N	1
Remote Wall Cradle	1
Installation Manual & Guide	1
Hanging Bracket	2
Warning Sticker	1
Manual Release Cord	1
Installation Fitting Kit	1

3.0 Installation Instructions

3.1 Install Lintel Bracket

It is essential that the lintel above your garage opening have a fixing point that is made from substantial material (timber, brick, steel etc). Almost all the force generated by the automatic operator is concentrated on the Lintel Bracket, so it must be properly anchored to prevent serious injury and/or damage. Additional timber should be added to reinforce this area if required.



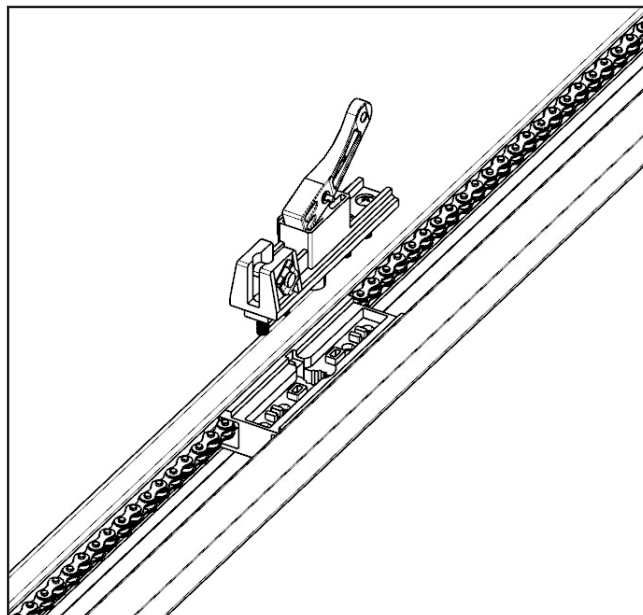
Complete the following steps to ensure your lintel bracket is installed in the correct position:

- Determine the centre of the door and mark a vertical line on the lintel
- Open the door and find the highest point to which the top of the door reaches. Mark an intersecting horizontal line at least 30mm above this to allow appropriate travel clearance
- Using the intersecting lines, place the lintel bracket with the flat bottom of the flanges positioned at the required height and fix with appropriate screws (not supplied)

Note: In some instances headroom requirements and the need to avoid obstructions make it necessary to move the bracket higher.

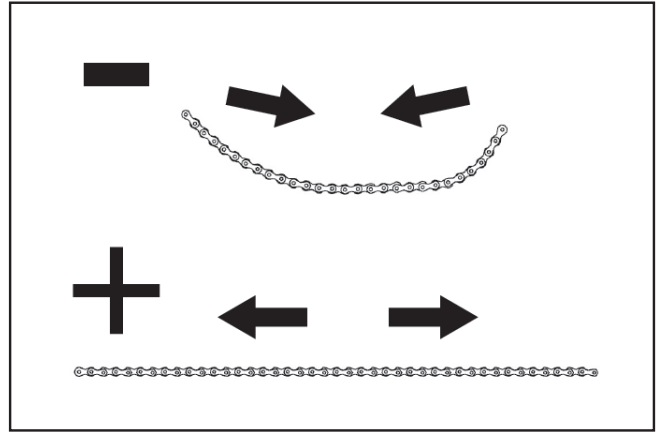
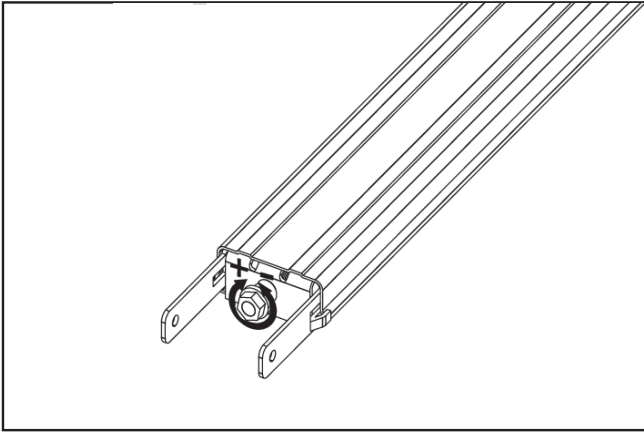
3.2 Attach Manual Release Mechanism to Track

Place the manual release mechanism on top of the thrust block within the track. Secure with bolts provided.



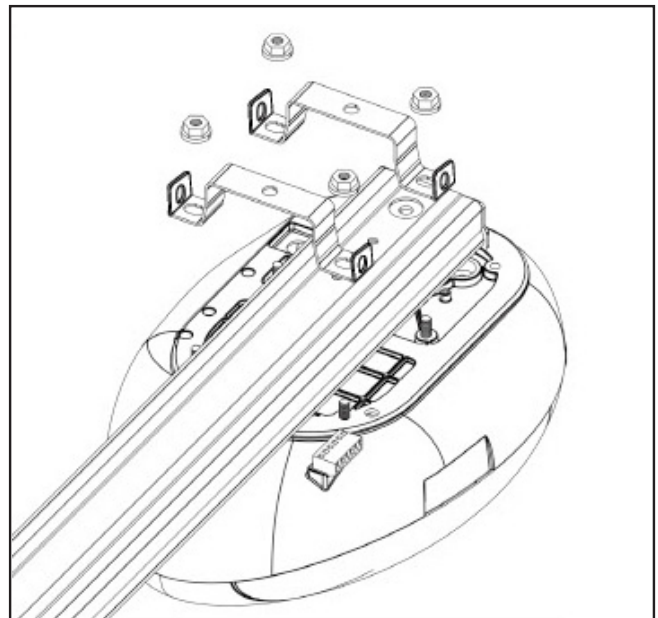
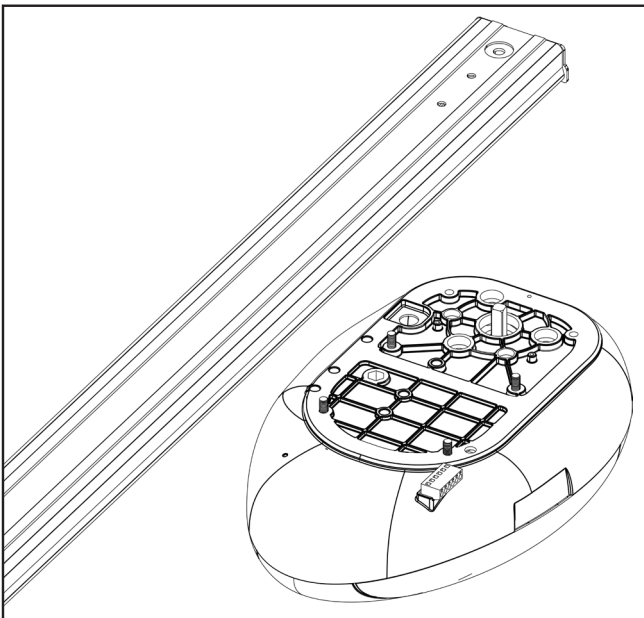
3.3 Adjust the Belt Tension

Tension the belt within the shaft by adjusting the nut clockwise until all slack is removed from the belt, being careful not to overtighten.



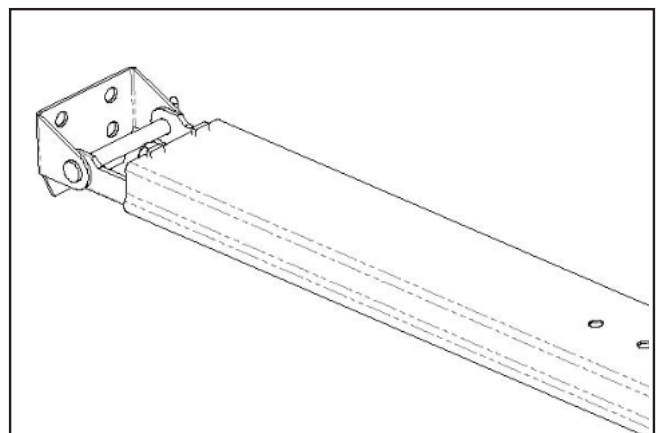
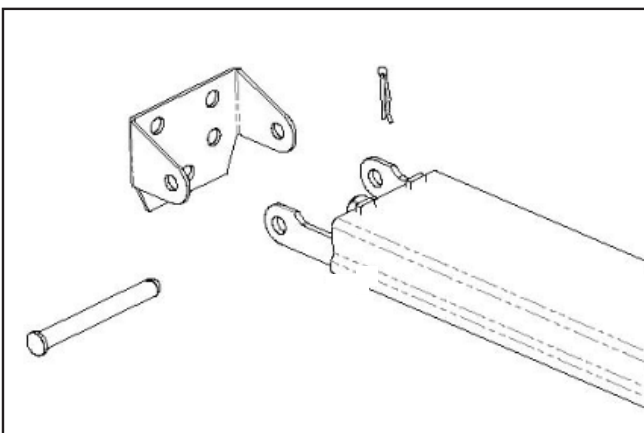
3.4 Secure Track to Power Unit

Place the track end over the geared shaft of the power unit and slide down, ensuring the track and the unit are correctly aligned. Secure the track to the power unit using the U-brackets and M6 nuts provided.



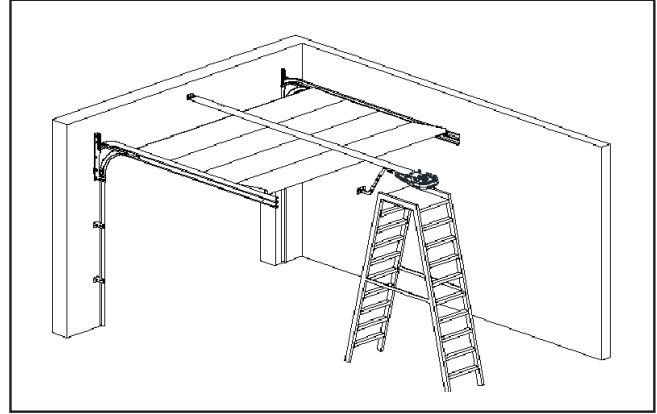
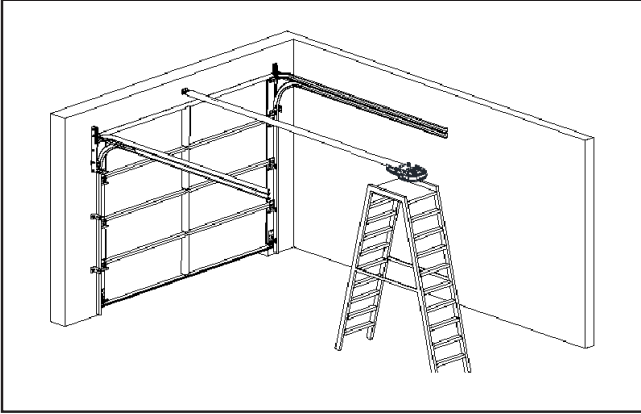
3.5 Attach Track to Lintel Bracket

Making sure to protect the surface of the power unit, attach the track to the previously installed lintel bracket using the track pin and R-clip provided.



3.6 Position Track and Power Unit

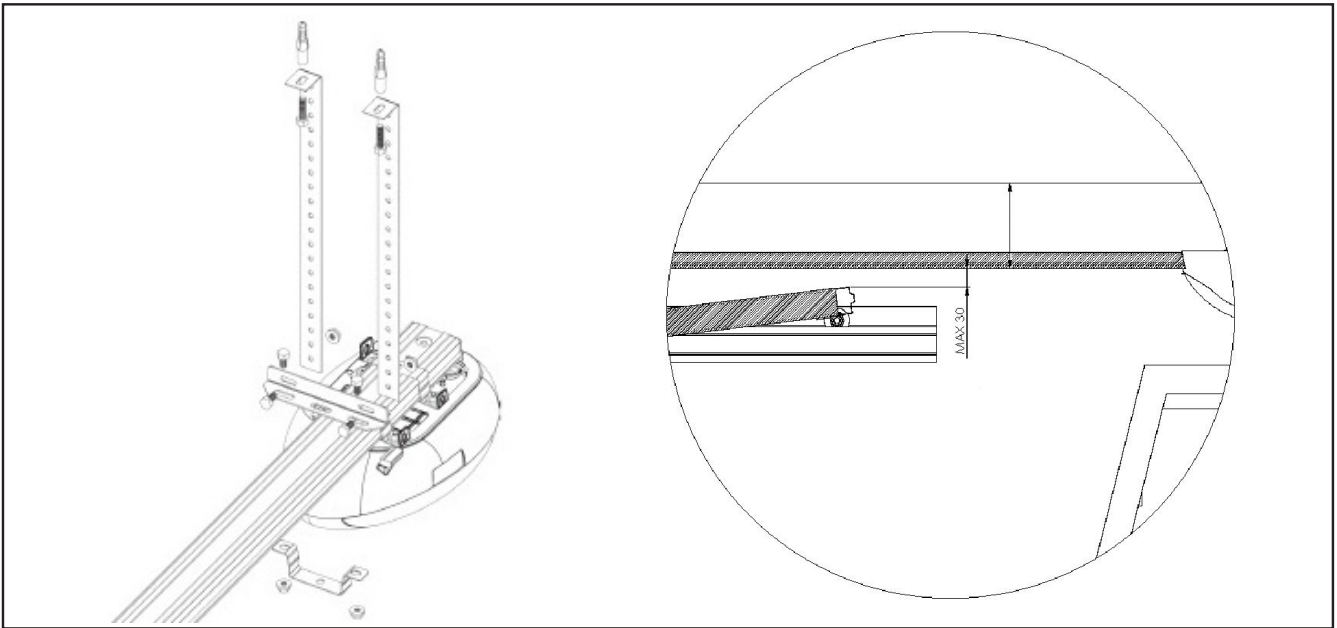
Raise the track and power unit and rest it on a ladder (or similar) so that it sits above the roller tracks. Open the door and confirm there is at least 30mm clearance between the door and the track. The final position of you track and power unit should be almost parallel with the open door.



3.6 Secure Track and Power Unit to Ceiling

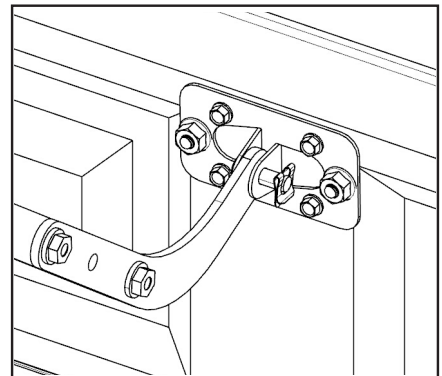
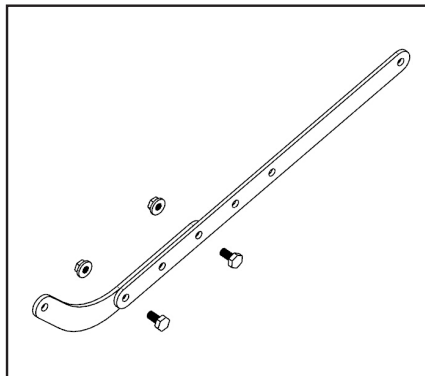
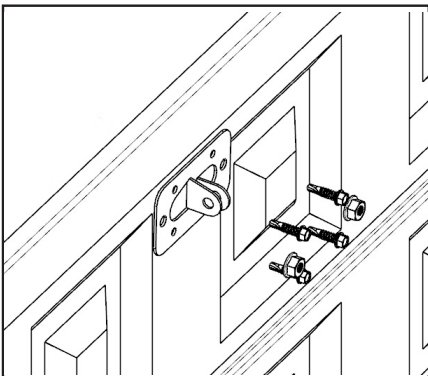
Locate a suitable fixing point above the power unit to secure to the ceiling. Additional brackets are provided to secure directly above the track should no suitable fixing point be available.

Measure the distance between the ceiling and the bottom of the track to determine the length of the 'L' bracket required. Cut to length and ensure the track lines up with the centre of the door before securing.

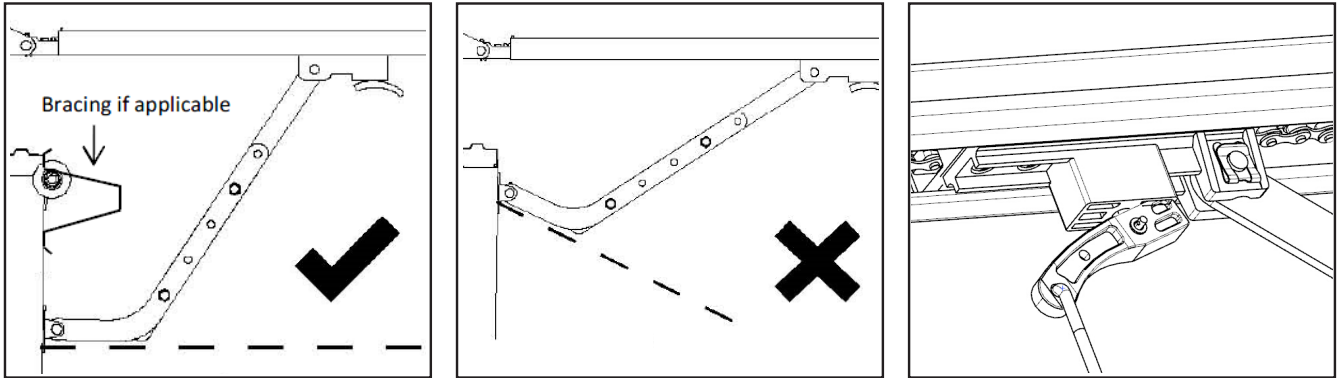


3.7 Install Door Hinge, J-Arm and Manual Release Cord

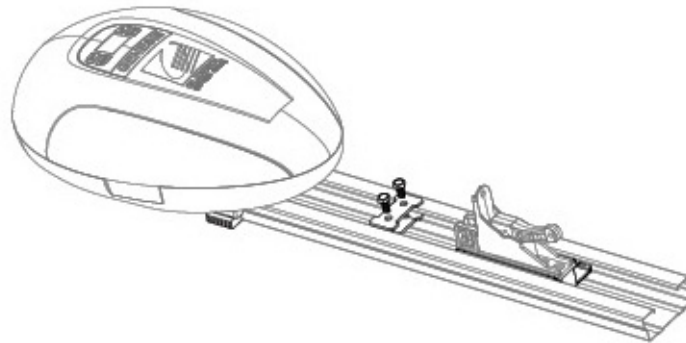
Slide the door back down to the closed position. Ensure the manual release mechanism is engage before manually moving the carriage toward the lintel bracket. Lock the carriage into one of the three manual



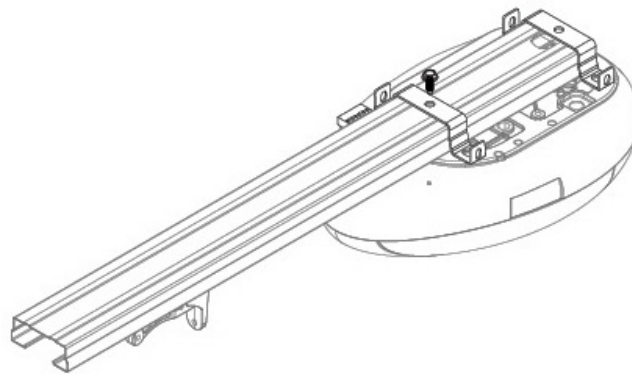
Use the below examples as a guide when positioning your door hinge and J-arm. Ensure J-arm does not touch bracing etc during normal operation. Attach manual release cord to complete installation.



Once installed, prior to configuring your opener attach the stopping mechanism as shown below with your door in the fully opened position (refer below). This will avoid the carriage overrunning during limit and force settings.



Using screw M6.3*20 fix the track with motor head through the U shaped buckle for added strength to ensure the mechanism doesn't move.

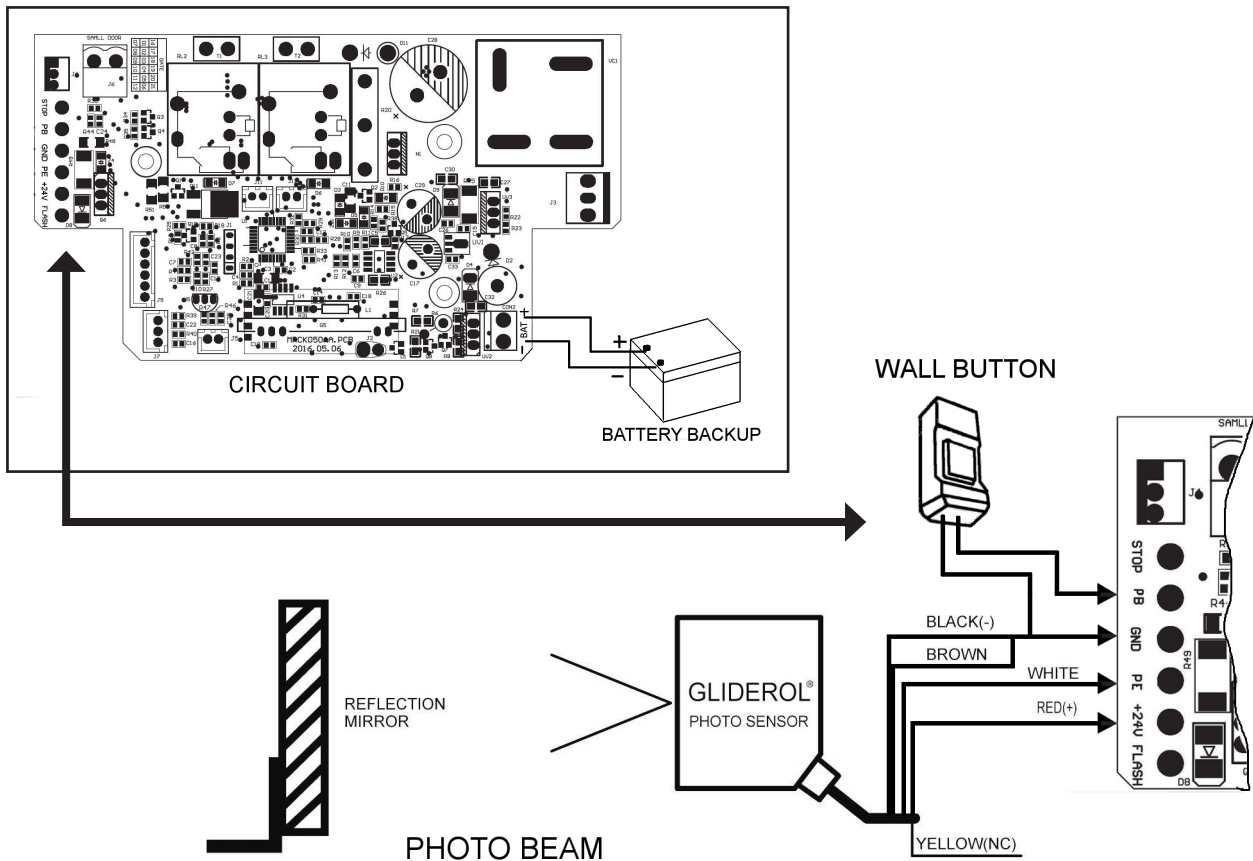


4.0 Opener Programming

4.1 Program Reference Table

Program Name	Program Display Code
Door Travel Limits	P1
Force Settings	P2
Photo Beam Settings	P3
Auto Close Function	P4

4.2. Optional Terminals and Connections



4.3 Control Panel Display

The Control Panel Display is used to setup and adjust all functionality.






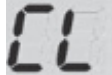
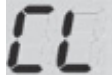

4.4 Initial Powering Up of Opener

Once your Opener has been installed, push and pull the door by hand to ensure the manual release thrust block is locked into place before turning on the power.

Item	Description	Display
4.4.1	Once the power has been switched on, the courtesy light will turn on and the LED display will show numbers from 99 to 11.	99 11
4.4.2	The Opener will then be ready for programming.	--

4.5 Program Door Travel Limits




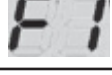

Setting your door travel limits is a vital part of the initial setup of your Gliderol opener. This communicates to the opener the specific distance it must travel to complete an open/close cycle.

Item	Description	Display
4.5.1	Starting with the door in the closed position, press and hold the 'SET' button until 'P1' is visible on the display.	
4.5.2	Press 'SET' and 'OP' (Open) will appear on the display.	
4.5.3	Press and hold the 'UP' button until the door travels to the desired open position.	
4.5.4	Once the door has reached the desired open position, press 'SET' to save in the units memory and 'CL' (Close) will show on the display.	
4.5.5	Press and hold the 'DOWN' button until the door reaches the desired closed position.	
4.5.6	Once the door has reached the desired closed position, press 'SET' to save in the units memory.	

Once limits are set the unit will automatically perform a full calibration cycle during which the door will open and close and automatically. When the door is closed after calibration, limit setup is complete.

4.6 Program Force Settings




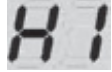
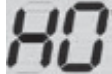
To ensure your doors Force Settings are correct, place a 40mm solid immovable object (eg block of wood) in the middle of the opening and lower the door. The door should automatically reverse when it touches the wood without further adjustments. If the door doesn't auto-reverse, complete the following steps to adjust settings:

Item	Description	Display
4.6.1	Press 'SET' until 'P1' is visible on the display.	
4.6.2	Press the 'UP' button once and 'P2' will be visible on the display. Press 'SET' to confirm selection.	
4.6.3	The Force Settings will now be shown on the display. Use the 'UP' and 'DOWN' buttons to increase/decrease the Openers force by one degree. Note: Default setting is 'F5' (to suit most doors) Maximum is 'F9' (to suit largest door) Minimum is 'F1' (to suit smallest door)	 
4.6.4	Press the 'SET' button to save selection in the units memory.	 <i>(example)</i>

5.0 Opener Accessories Programming

5.1 Enable Optional Photo Sensor Beams

Optional Photo Sensor Beams are available to prevent a door from closing when an obstruction (person, object etc) is located in the beams path. By default, Photo Sensor Beams are disabled (setting 'H0') on all units. To enable this feature please complete the following steps:

Item	Description	Display
5.1.1	Press 'SET' until 'P1' is visible on the display.	
5.1.2	Press the 'UP' button twice and 'P3' will be visible on the display. Press 'SET' to confirm selection.	
5.1.3	To enable functionality, press the 'UP' button once and 'H1' will be visible on the display.	 
5.1.4	Press the 'SET' button to save selection in the units memory.	 <i>(example)</i>


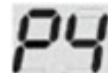
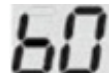

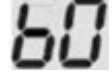
To disable, complete steps 5.1 and 5.2 then press the **'DOWN'** button and 'H0' will be visible on the display. Press the **'SET'** button to save selection in the units memory.

Note: If Photo Sensor Beams are not connected, please ensure 'H0' is selected otherwise the door will not close and the control panel will display 

5.2 Enable Optional Auto-Close Setting

Please note this feature is only available for doors fitted with optional Photo Sensor Beams. The Auto Close feature only activates once the door reaches the open position.

By default, Auto-Close is disabled (setting 'b0') on all units. To enable this feature please complete the following steps:



Item	Description	Display
5.2.1	Press 'SET' until 'P1' is visible on the display.	
5.2.2	Press the 'UP' button three and 'P4' will be visible on the display. Press 'SET' to confirm selection.	
5.2.3	Using the reference table below as a guide, use the 'UP' and 'DOWN' buttons to select your preferred Auto-Close setting.	 
5.2.4	Press the 'SET' button to save selection in the units memory.	 <i>(example)</i>

Setting Code	b0	b1	b2	b3	b4	b5	b6	b7	b8	b9
Time (sec)	0	10	20	30	40	50	60	90	120	180

6.0 Remote Programming

6.1 Programming a New or Additional Remote

Complete the below steps to program a new or additional remote for your opener. Please note, if you are replacing a lost or stolen handset we recommend erasing all existing handset data from your operator prior to programming your new handset.

Item	Description	Display
6.1.1	Press the 'CODE' button and '-. -.' will be visible on the display.	
6.1.2	Press and hold the desired button on your remote that you would like to operate your door until the dots shown on display flash. Your remote settings have now been saved in the units memory.	

The Opener can be programmed to be used by up to 15 remotes.

To program a single remote to operate multiple doors (up to 3), simply repeat the above steps and select a different button for operation.

6.2 Erasing all Programmed Remotes

To erase all stored remote information, simply press and hold the 'CODE' button for more than 8 seconds. The dots shown on the display will disappear to confirm all remote programming information has been erased.

7.0 Safety Instructions

7.1 Installation Information

Before installing the Opener, remove all unnecessary ropes or chains and disable any equipment, such as locks, not needed for powered operation.

Before installing the Opener, check the door is in good mechanical condition, correctly balanced and opens and closes properly.

Ensure Manual Release cord is installed and accessible without interfering with vehicles.

Permanently fix the warning labels against entrapment in a prominent place or near fixed controls.

Permanently fix the label concerning manual release adjacent to its actuating member.

7.2 Safe Door Operation Methods

When operating the door for the first time ensure the door works properly in manual mode.

Test Method: Pull the cord to unlock the trolley, open and close the door manually by hand.

Only use remotes when door is in direct view and clearly visible. Ensure remote is out of reach of children and pets.

Do not stand or walk under moving door. Watch the moving door and keep people away until the door is completely opened or closed.

The operator must not be used by children or persons with reduced physical, sensory or mental capabilities, or lack of experience and knowledge, unless they have been given supervision or instructions.

7.3 Door Inspection Information

Check at least twice a year to make sure the door is properly balanced and that all parts are in good working order. Frequently examine the installation, in particular check cables, springs and mountings for signs of wear, damage or may cause injury. All moving parts must be lubricated.

Every month check the door safety auto reversing works when the door contact 50mm high object placed on the floor. Adjust if necessary and recheck since an incorrect adjustment may present a hazard. If it is not functioning properly the door must be serviced by an authorised Gliderol service technician immediately.

7.4 Electrical Information

All wiring and electrical works must be completed by a licensed electrician. Ensure earthing wire is connected with earth.

If the supply power cord is damaged, it must be replaced by the manufacturer, or by its service technician or similarly qualified person to avoid hazard.


7.5 Manual Release Information

Take care when operating the manual release cable since an open door may fall rapidly due to weak or broken springs or being out of balance.

In the process of unlocking the carriage there can be uncontrolled movement of doors

- If the spring tension is loose or spring broken;
- If the door is not balanced;
- If the door is opened manually the carriage can collide with the drive (during building works limit the door run in opening direction);
 - In manual operation the doors must be operated in slow speed only.

8.0 Troubleshooting Guide

Problem	Causes	Solution
The Openers belt is sagging.	The belt is loose.	Adjust M8 nut on end of shaft in clockwise direction.
The Opener does not operate.	The power cable plug may be loose. A fuse may have blown.	Check the power cable connection. Replace fuse if it is blown.
After setting door travel limits, the Opener will not operate.	Hall IC cable may be loose/ unplugged. Possible programming error.	Plug Hall IC cable in properly or tighten screws. Reset Door Travel Limits.
The door will not close.	Photo Sensor Beam functionality may be enabled.	Disable Photo Sensor Beam functionality if not connected. If connected, ensure beam is not obstructed.
The wall button is working but the remotes are not.	Remote programming error. Remote battery may be low.	Reprogram remote. Change remote batteries.
Remote range is too short.	Remote battery may be low.	Change remote batteries.
The operator does not operate display: 	PE Beam function has been enabled but not present. PE Beam triggered.	If the PE Beam is connect, ensure it is not obstructed. If PE Beam is not present, disable PE Beam setting. Refer to section 5.1 and ensure P3 functions displays (HO).

9.0 Warranty

The Genesis brand and its complete product range is wholly owned and operated by Gliderol Garage Doors.

Manufacturers Product Warranties Statement

Our goods come with guarantees that cannot be excluded under the Australian Consumer Law. You are entitled to a replacement or refund for a major failure and for compensation for any other reasonably foreseeable loss or damage. You are also entitled to have the goods repaired or replaced if the goods fail to be of acceptable quality and the failure does not amount to a major failure.

In addition, we offer our Gliderol Warranty as set out below. The benefits given to you by our Gliderol Warranty are in addition to other rights and remedies you may have under the Australian Consumer Law. Our Gliderol Warranty does not exclude, restrict or modify any such statutory rights or remedies which cannot be excluded.

For products sold and installed by Gliderol, the Gliderol Warranty extends to cover defects of manufacture and costs of delivery and/or re-installation of any product repaired or replaced under the terms of the Gliderol Warranty. In all other circumstances, where the products are supplied by a third party, the Gliderol Warranty covers defects of manufacture only and does not include costs of reinstallation or delivery.

This is not intended to exclude, restrict or modify any right or remedy to which you may otherwise be entitled in respect of delivery or re-installation under the Australian Consumer Law.

Schedule of Warranty Period for Individual Components

Our Gliderol Warranty applies for the periods (the Applicable Warranty Period) stated as follows:

Gliderol Genesis Sectional Overhead Door Operator - Domestic / Residential use

Gliderol Genesis - 5 years on motor only. 2 years on electronics, components, labour & workmanship, if fitted by an authorised Gliderol Distributor or Gliderol Technician. (Excludes handsets, batteries, fuses & lights globes, which have no warranty)

Gliderol Genesis Optima - 5 years on motor only, on electronics, components, labour & workmanship, if fitted by an authorised Gliderol Distributor or Gliderol Technician. (Excludes handsets, batteries, fuses & lights globes, which have no warranty)

1 year on parts only on Genesis and Gliderol Optima, if fitted by parties other than an authorised Gliderol Distributor or Gliderol Technician.

Gliderol Requires that the Gliderol Genesis and Gliderol Genesis Optima Sectional Overhead Door Operators be serviced by an authorised Gliderol Distributor or Gliderol Technician every 18 months to ensure longevity of the products life - failure to do so will void the 5 year motor warranty.

It is also a condition of this Gliderol Limited warranty that for the operating life of the Unit:

1. The garage door is spring balanced, is operable by hand and opens and closes with no more than 20kg of lifting weight; loss of spring tension is not covered by 2 or 5 year warranty.
2. The garage door and the unit is professionally maintained and serviced by a authorized dealer, at a minimum, during the 18 month of the Gliderol Limited warranty period such that the spring balanced door according to the manufacturers specifications. If your door binds, sticks or is out of balance, then it must not be used until serviced by a Gliderol Authorized Technician.
3. You retain your sales docket or invoice as proof of purchase, and attach it to this manual to establish the date of purchase.

Product Warranty Conditions

1. Subject to the following specific limitations and exceptions, and in addition to all rights and remedies to which you may be entitled under the Australian Consumer Law, Gliderol warrants all new doors, motors and electronic components of Gliderol's manufacture, sold and installed by Gliderol, to be free from defect in workmanship under normal use and service for the Applicable Warranty Period prescribed above.

2. During the Applicable Warranty Period, Gliderol will make good any defect as described in clause 1 above by repairing or replacing the affected product or part (at its option) PROVIDED THAT notice of any claimed defect in materials or workmanship in or resulting from installation of any door shall have been given to Gliderol within the period from date of installation as prescribed above.

3. For products sold through or installed by an authorised Gliderol Distributor or other party (other than an accredited Installer Contractor nominated by Gliderol), our Gliderol Warranty covers only defects of manufacture and does not include:-

- Any defects caused by or related to the installation of that product, nor
- The cost of delivering or re-installing a product that is repaired or replaced.

This limitation does not exclude, restrict or modify any right or remedy to which you may otherwise be entitled in respect of delivery or re-installation under the Australian Consumer Law or other applicable laws, which may not be excluded.

4. Our Gliderol Warranty does not apply to any defect, loss or damage arising or caused directly or indirectly by or as a result of:-

- (i) Any masonry rendered or other surfaces cracking or collapsing during installation of the door
- (ii) Any defect or deterioration of timber including drying out after installation
- (iii) Any weakening or collapse of the structure to which the doors are affixed occurring any time after installation
- (iv) Any damage to or deterioration in the condition of the doors occurring in transit by customer nominated or appointed carrier or occurring after delivery and prior to installation
- (v) Any defect (including defects in component parts or accessories) rising from or attributable to the failure to carry out normal preventive maintenance or adjustment
- (vi) To any additional defect damage or deterioration arising from or attributable to the operation of the door after it is known to be defective
- (vii) Any door being installed within 800 metres of the sea or other body of water of equivalent or greater salt concentration or in an area subject to industrial fall out Any automatic units exposed to moisture.
- (viii) Any fault or surge in customer's electricity supply
- (ix) The door striking an immovable object during travel

5. Items excluded from our Gliderol Warranty are:

- (i) Batteries
- (ii) Fuses
- (iii) Globes
- (iv) Sensitivity adjustments
- (v) Handsets

Warranty Form

Name

Address

Product Type

Installation Date

Supplier (Distributor)

Installer

Phone No

Address

Installer Signature

NOTE: THIS FORM MUST BE COMPLETED BY THE INSTALLER AND PRODUCED AS PROOF OF PURCHASE DATE WHEN MAKING A SERVICE CALL UNDER WARRANTY, OTHERWISE CALLS ARE LIABLE TO SERVICE CHARGES.

FOR SALES & SERVICE CONTACT GLIDEROL INTERNATIONAL PTY LTD (ABN 92 007 928 949)

Head Office

Gliderol Garage Doors
32 Jacobsen Crescent, Holden Hill SA 5088
Phone (08) 8360 0000

New South Wales

Gliderol Garage Doors
45 Sammut Street, Smithfield NSW 2164
Phone (02) 9725 1033

Victoria

Gliderol Garage Doors
94-98 Micro Circuit, Dandenong South VIC 3175
Phone (03) 8788 8100

Queensland

Gliderol Garage Doors
20 Randle Road, Pinkenba QLD 4008
Phone (07) 3260 9000

OR YOUR LOCAL SUPPLIER: